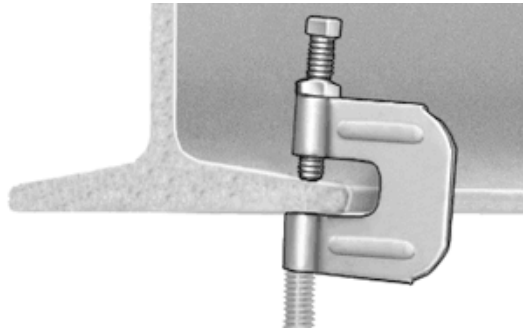


The drawings do not show the stock hardware parts.

All the pipe is common black steel pipe.

3/8" steel pipe will not fit inside 1/2" steel pipe. Depending on the equipment you have available, you will have to bore out the 1/2" steel pipe or turn down the 3/8" steel pipe.

The part half 3/8" beam clamp is cut from one of these:



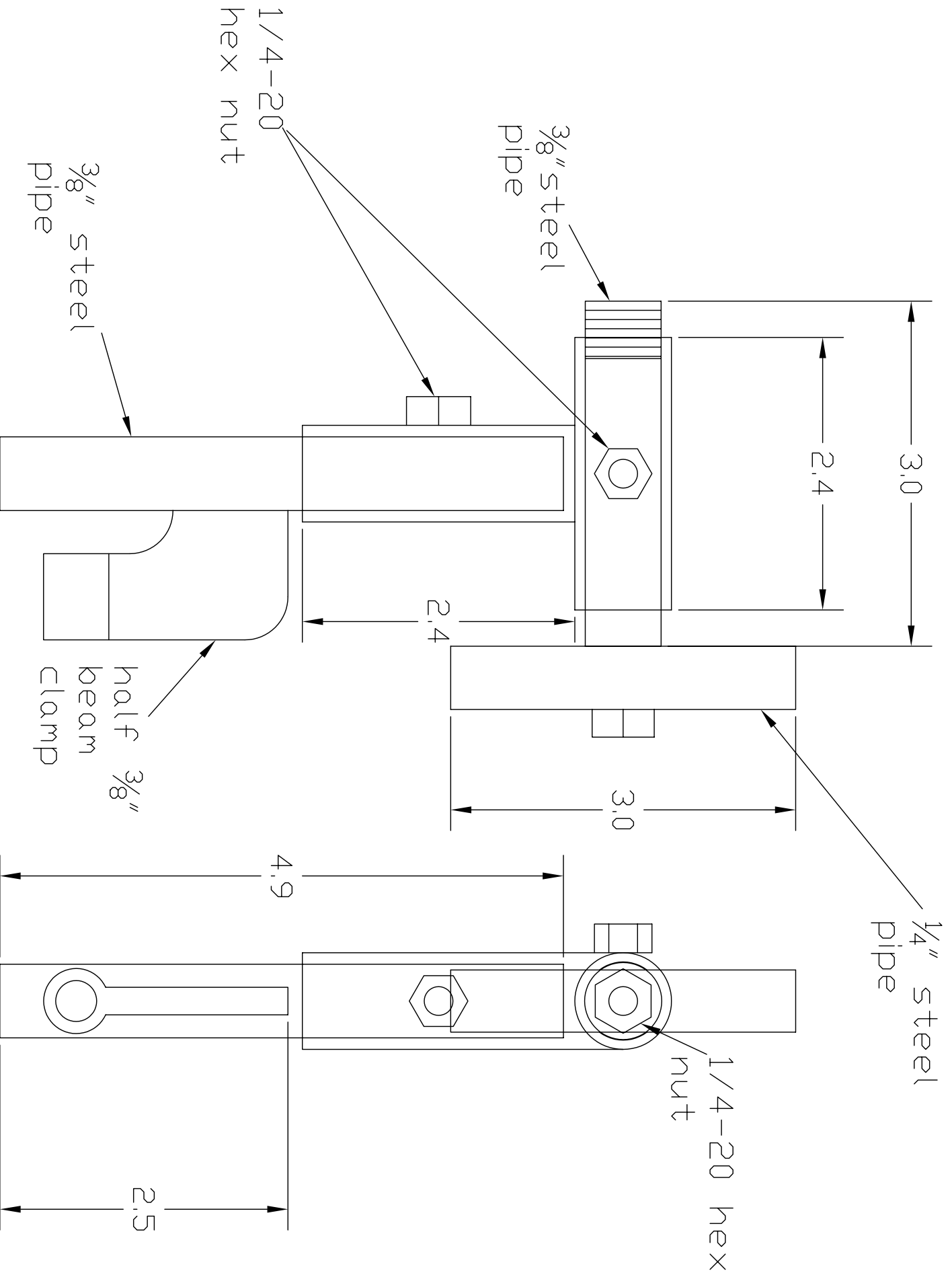
The finished launcher looks like this:

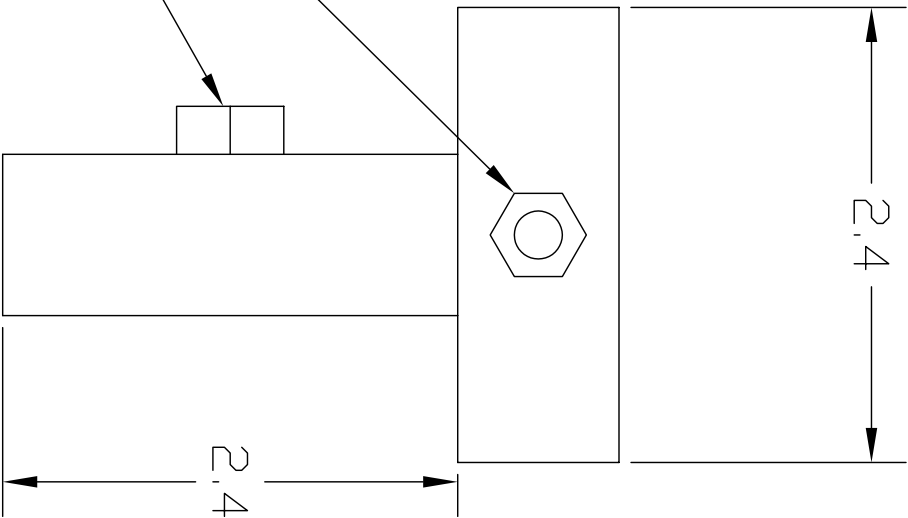
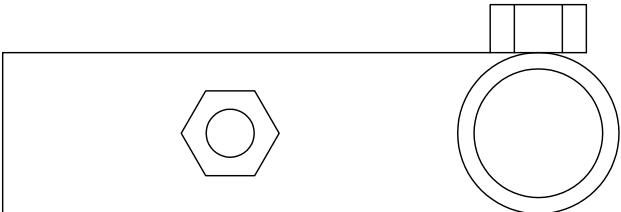


It mounts on a metal

fence stake.

Feel free to email me at [bill@billsplumbing.com](mailto:bill@billsplumbing.com) if you have any questions.





1/4-20  
hex nut

