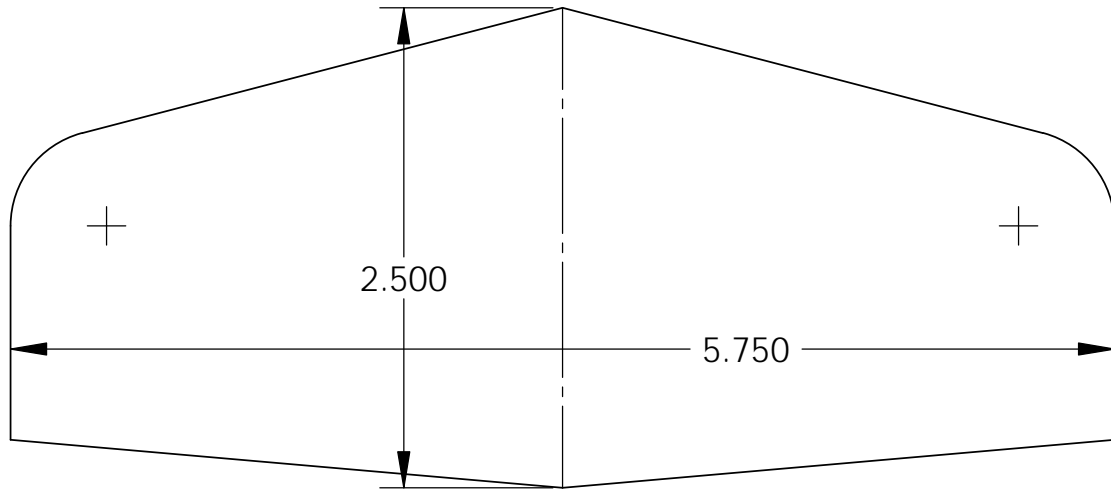
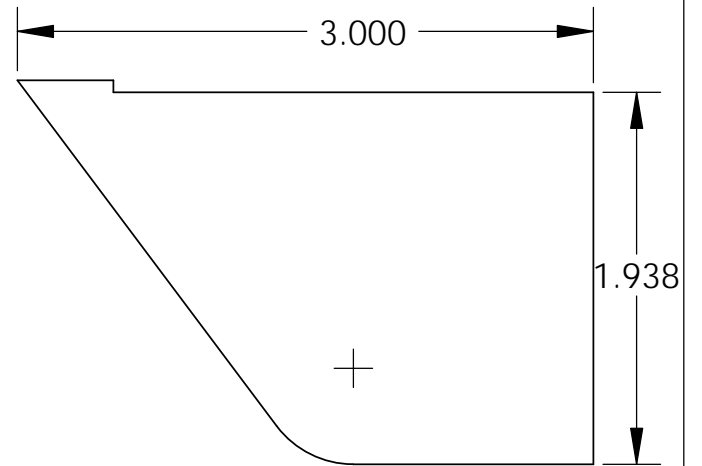


Note: Fuselage is 18" long

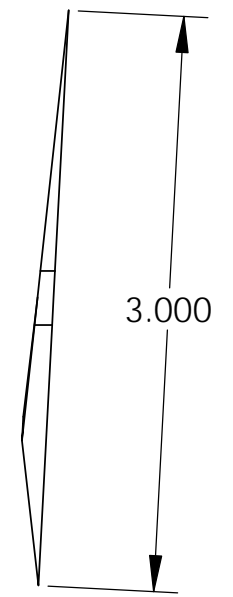
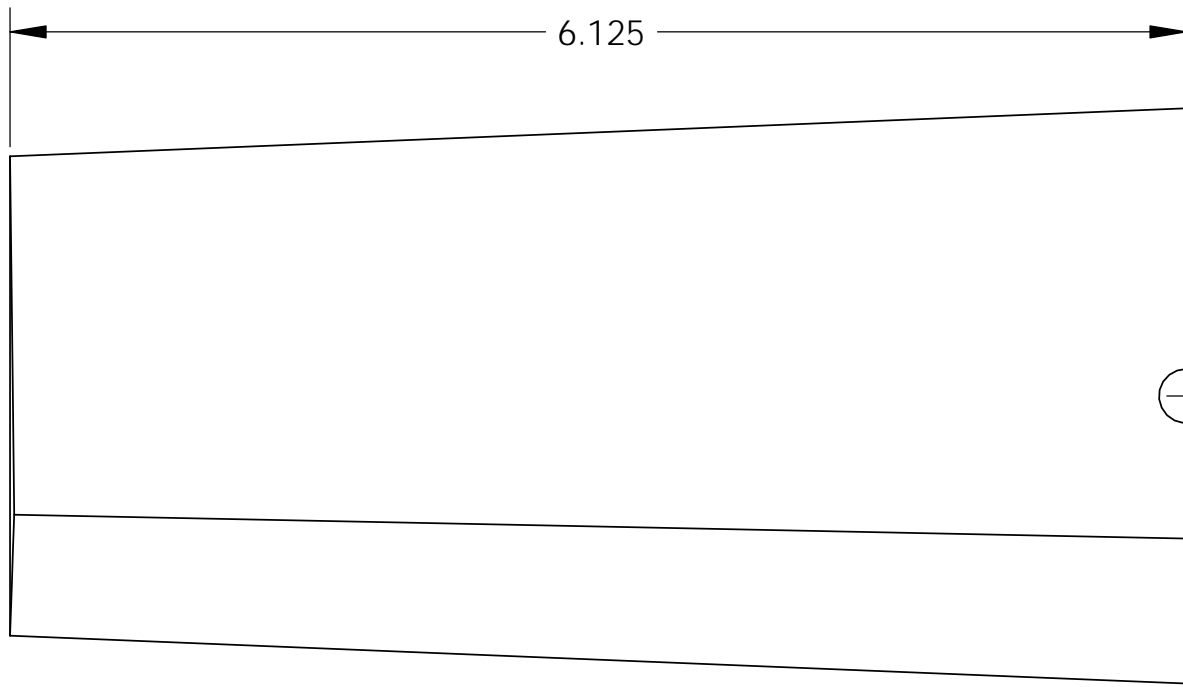


S4A #11 Scissors/Flop
Horizontal Stabilizer

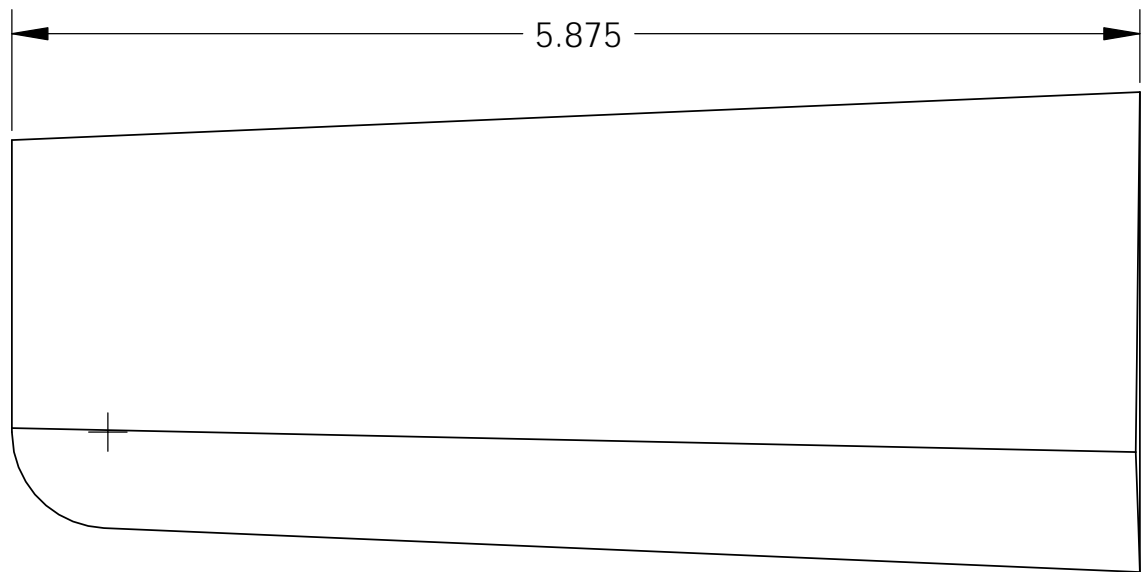
S4A #11 Scissors/Flop
Vertical Stabilizer



	NAME	DATE	TITLE:		
DRAWN	CCF	11/27/11	Templates, S4A #11		
CHECKED					
COMMENTS:			SIZE	DWG. NO.	REV
			A	TBD	
			SCALE: 1:1		SHEET 1 OF 3

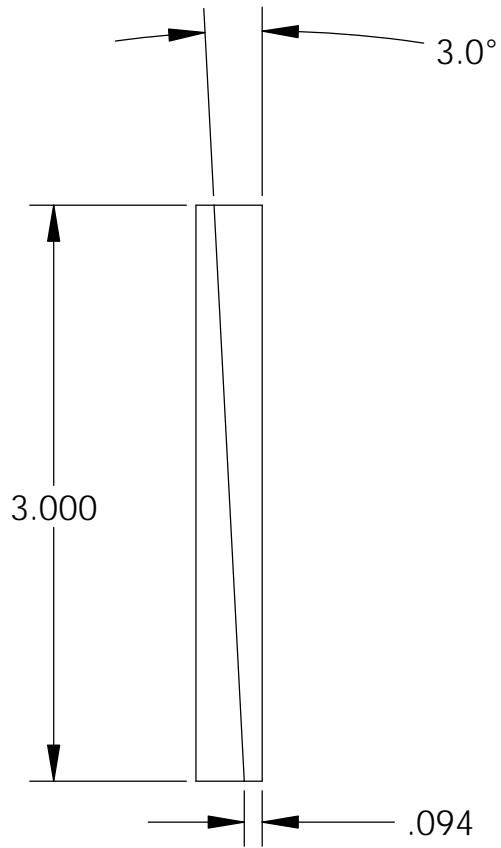


Wing mounted
at 3 deg
incidence

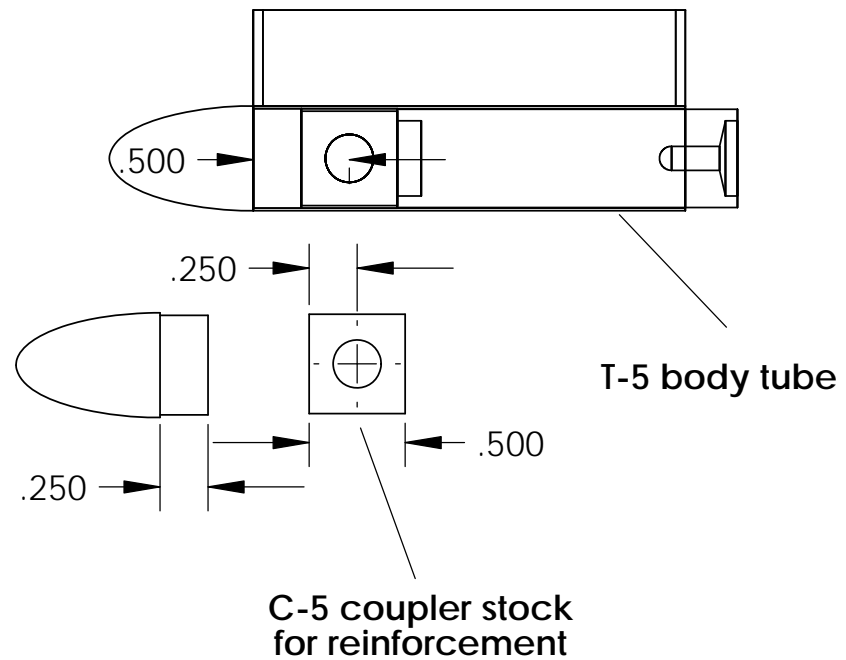
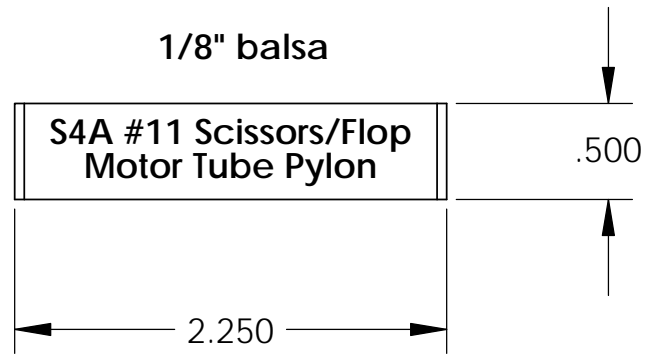


Wing is straight taper
3" chord in the center
2" chord at the wing tip

SIZE A	DWG. NO. S4A_11_Templates	REV 0
SCALE: 1:1		SHEET 2 OF 3



S4A #11 Scissors/Flop
Wing/Pivot Alignment Guide



T-5 body tube

C-5 coupler stock
for reinforcement

SIZE	DWG. NO.	REV
A	S4A_11_Templates	0
SCALE: 1:1		SHEET 3 OF 3